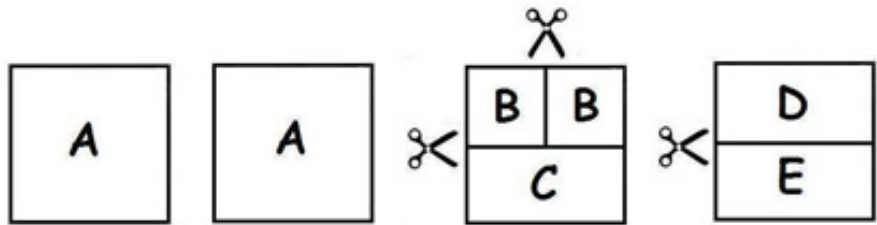
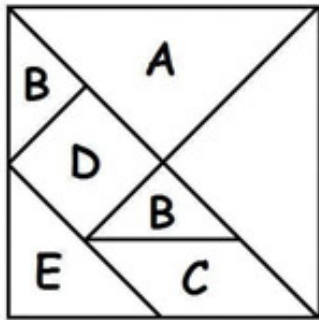


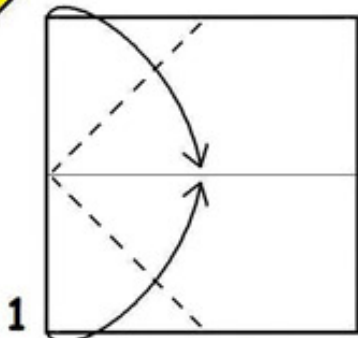
TANGRAM CHINO

Diagramas de la web: <http://www.nickrobinson.info/clients/owrigami/index.htm>

TANGRAM 2

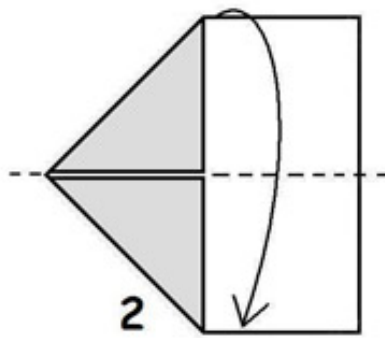


4 sheets of square paper are required to make the 7 shapes [Tan] of the Tangram. Use 2 complete sheets to make the large Triangle A. For the rest, cut the square paper as shown and fold from the cut pieces. Recommended size - 15cm square.

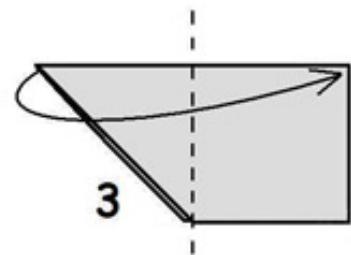


1

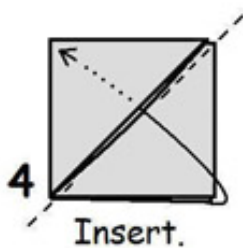
White side up.



2



3



4

Insert.



5

Complete.

Make 2.

From these 7 pieces or Tans, almost unlimited number of patterns and geometrical shapes can be formed.



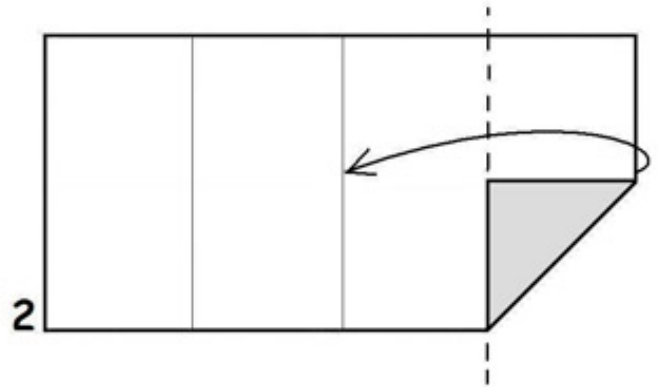
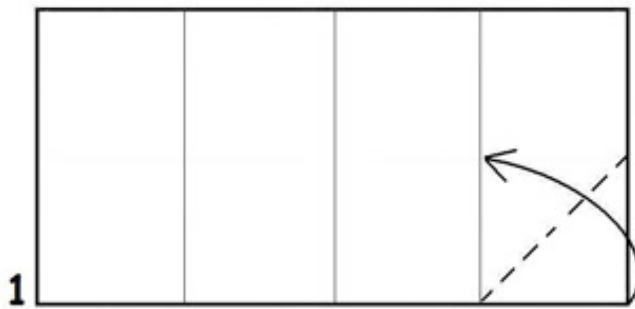
=



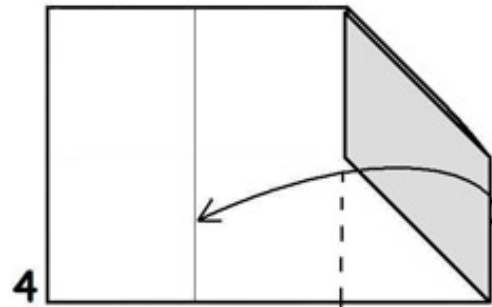
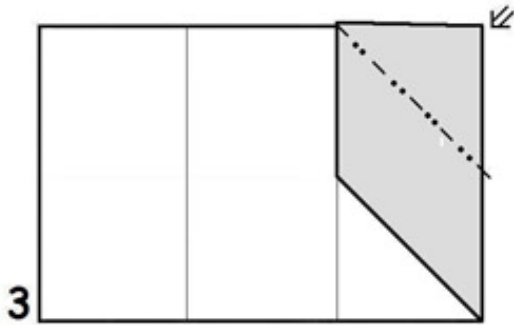
Make 2.

Same as A but use paper 1/4 in size.

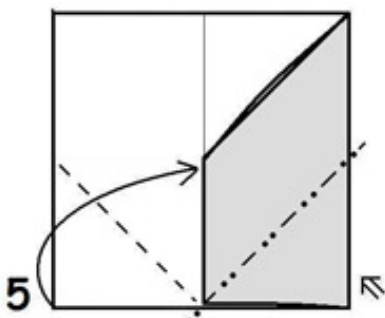
The rules are simple:
All the 7 Tans must be used to to match particular designs.
You are allowed to rotate or flip over the Tans.
Stacking or overlapping the Tans is not allowed.



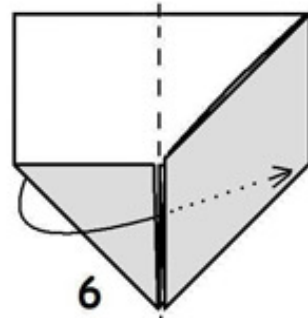
White side up.
Pre-crease into 1/4s and then
fold up the bottom right corner.



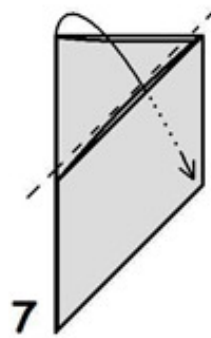
Reverse fold.



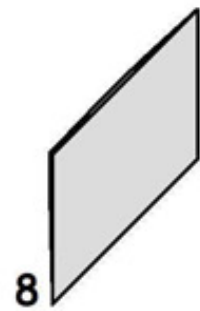
Reverse fold.



Fold in to trap the
loose flap in between.

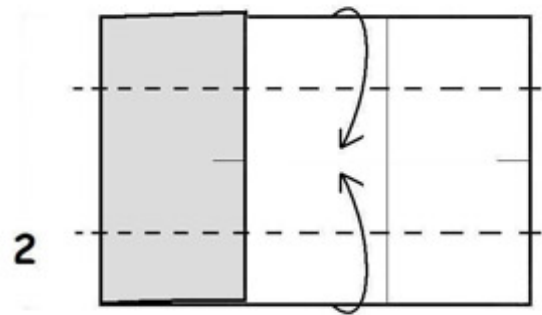
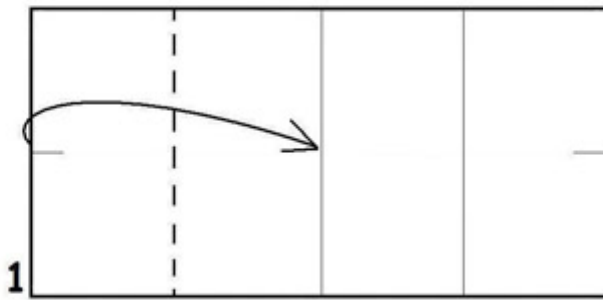


Insert flap
into pocket.

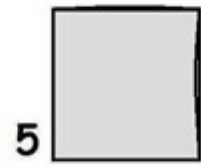
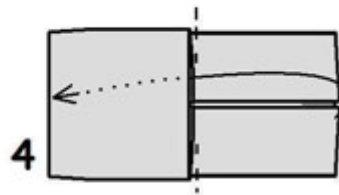
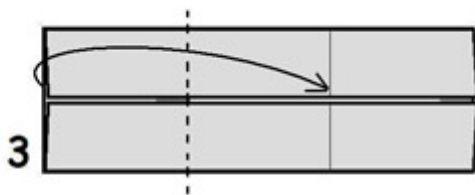


Complete.

D



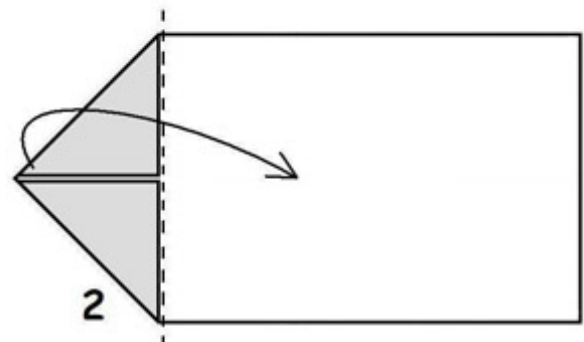
1 White side up. Pre-crease into 1/4s. Crease to mark the middle of the short edges and then fold the left edge to the middle crease line.



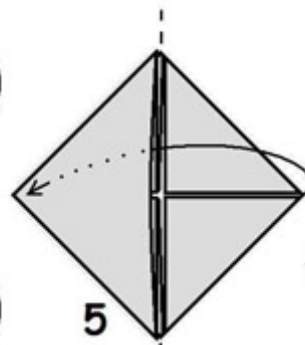
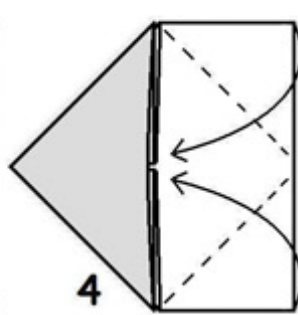
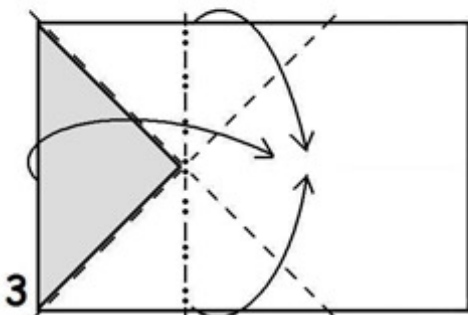
4 Insert into pocket.

5 Complete.

E



1 White side up.



3 Form the Waterbomb Base.

5 Insert.

6 Complete.

Below are just a few shapes that can be formed from the Tangram set. How many can you solve?
Sorry, solutions are not provided.

